

Универсальный дисплей

AV10

Технические характеристики

Архангельск (8182)63-90-72
Астана +7(7172)727-132
Белгород (4722)40-23-64
Брянск (4832)59-03-52
Владивосток (423)249-28-31
Волгоград (844)278-03-48
Вологда (8172)26-41-59
Воронеж (473)204-51-73
Екатеринбург (343)384-55-89
Иваново (4932)77-34-06
Ижевск (3412)26-03-58
Казань (843)206-01-48
Калининград (4012)72-03-81
Калуга (4842)92-23-67
Кемерово (3842)65-04-62
Киров (8332)68-02-04

Краснодар (861)203-40-90
Красноярск (391)204-63-61
Курск (4712)77-13-04
Липецк (4742)52-20-81
Магнитогорск (3519)55-03-13
Москва (495)268-04-70
Мурманск (8152)59-64-93
Набережные Челны (8552)20-53-41
Нижний Новгород (831)429-08-12
Новокузнецк (3843)20-46-81
Новосибирск (383)227-86-73
Орел (4862)44-53-42
Оренбург (3532)37-68-04
Пенза (8412)22-31-16
Пермь (342)205-81-47
Ростов-на-Дону (863)308-18-15

Рязань (4912)46-61-64
Самара (846)206-03-16
Санкт-Петербург (812)309-46-40
Саратов (845)249-38-78
Смоленск (4812)29-41-54
Сочи (862)225-72-31
Ставрополь (8652)20-65-13
Тверь (4822)63-31-35
Томск (3822)98-41-53
Тула (4872)74-02-29
Тюмень (3452)66-21-18
Ульяновск (8422)24-23-59
Уфа (347)229-48-12
Челябинск (351)202-03-61
Череповец (8202)49-02-64
Ярославль (4852)69-52-93



AUTROVU AV10 – EXPLOSION-PROOF UNIVERSAL DISPLAY UNIT

Gas detectors Product datasheet

Features

- Universal design supports multiple Autronica sensors or generic linear 4-20 mA sensors.
- Local digital LCD display continuously indicates gas level, gas type, and units measured.
- Backlit and heated display.
- Non-intrusive calibration quickly performed by one person.
- Rugged construction approved for use in classified hazardous areas.
- Linear isolated/non-isolated 4-20 mA output with HART.
- Non-intrusive menu allows device configuration without de-classifying the hazardous area.
- Internal magnetic switches provide a non-intrusive user interface.
- Smart capabilities with access to sensor information and measurement range.
- Event logs: Calibration with date and time stamp.
- Fault logs: Detector fault, Low power and General fault.
- Alarm logs: High gas alarm, Low gas alarm and Aux alarm.

Application/Description

The AutoVu AV10 is recommended for applications that require a gas detector with digital readout of detected gas levels as well as analog 4-20 mA output with HART, relay contacts, and Modbus RS485 (FOUNDATION™ Fieldbus option available). The AV10 Universal Display Unit is designed for use with Autronica gas detectors such as GT3000, PIR9400, HC200, HC600, or NTMOS, as well as generic linear 4-20 mA sensors. The display unit is designed and approved as a 'stand alone' device and performs all the functions of a gas controller.

Gas concentration and unit of measurement are indicated on a digital display. The display unit provides a linear isolated/non-isolated 4-20 mA DC output signal (with HART) that corresponds to the detected gas concentration.



All electronics are enclosed in an explosion-proof aluminum or stainless steel housing. The display unit is used with a single detector that may be either coupled directly to the AV10, or remotely located using a sensor termination box. The AV10 features non-intrusive calibration. A magnet is used to perform calibration as well as to navigate the AV10's internal menu.

The AV10 Universal Display can be used with various 4-20 mA gas detection devices, with or without HART. The unit provides display, output and control capabilities for the gas detector.

The AV10 utilizes the following I/O:

- Signal Inputs: 4-20 mA loop from the sensing device
- User Inputs: Magnetic switches (4) on the display panel
HART communication (handheld field communicator or AMS)
FOUNDATION™ Fieldbus (if selected)
- Signal Outputs: 4-20 mA output loop with HART
Modbus RS485 or FOUNDATION™ Fieldbus
Three alarm relays and one fault relay
- Visible Outputs: Backlit LCD display
HART slave interface via HART communicator.

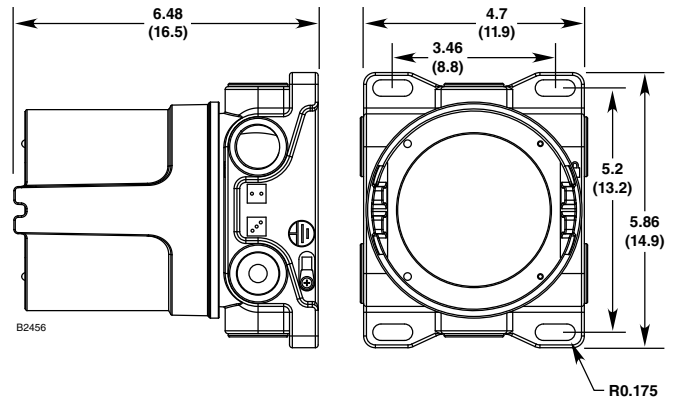
Specifications

Operating Voltage	24 Vdc nominal, operating range is 18 to 30 Vdc.
Operating Power	<p>Standard model, with heater and backlight off:</p> <p>No alarm: 1.5 watts @ 24 Vdc. Alarm: 3 watts @ 24 Vdc (20 mA current output, and all 3 alarm relays energized.) Backlight on: 0.5 watt additional. Heater on: 3.5 watts additional. CGS model: Add 4 watts with CGS interface board and CGS sensor installed.</p> <p>Maximum power in alarm, with heater and backlight on: 7 watts @ 30 Vdc (Standard model) 11 watts @ 30 Vdc (CGS model)</p> <p>NOTES: – Heater turns on when the internal temperature drops below –10°C. Heater function can be disabled to save power. – Appropriate relays will be activated when a fault or alarm occurs.</p>
Current Output	<p>Linear isolated 4-20 mA output with HART. Maximum loop resistance 600 ohms at 18 to 30 Vdc.</p>
Relay Contacts	<p>Three Alarm Relays: Form C, 5 amperes at 30 Vdc. Selectable energized/de-energized. Selectable latching/non-latching.</p> <p>One Fault Relay: Form C, 5 amperes at 30 Vdc. Normally energized for no fault condition with power applied.</p>
Operating Temperature	–55°C to +75°C.
Storage Temperature	–55°C to +75°C.
Humidity Range	5 to 95% RH (Autronica verified).
Wiring Terminals	14 to 18 AWG wire can be used.
Conduit Entries	3/4" NPT or M25.
Enclosure Material	Epoxy coated aluminum or 316 stainless steel.
Shipping Weight	<p>Aluminum: 4.15 pounds (1.88 kilograms). Stainless Steel: 10.5 pounds (4.76 kilograms).</p>
Warranty	12 months from date of installation or 18 months from date of shipment, whichever occurs first.
Electro-Magnetic Compatibility	<p>EMC Directive 2004/108/EC EN55011 (Emissions) EN50270 (Immunity).</p>

Refer to Instruction Manual 116-P-AV10/IGB for in-depth information regarding the AutroVu AV10 Universal Display Unit.

Dimensions

Dimensions shown in inches (centimeters).



Certification

FM: Class I, Div. 1, Groups B, C & D (T5);
 Class I, Div. 2, Groups B, C & D (T4);
 Class I, Zone 1/2 AEx d IIC (T5);
 Class II/III, Div. 1/2, Groups E, F & G.
 Tamb = –55°C to +75°C
 Type 4X, IP66
 Conduit seal not required.



Performance verified in accordance with:
 ANSI/ISA-92.00.01
 ANSI/ISA-12.13.01 (CGS excluded)
 FM 6310/6320
 ANSI/ISA-12.13.04/FM 6325

CSA: CSA 08 2029512.
 Class I, Div. 1, Groups B, C & D (T5);
 Class I, Div. 2, Groups B, C & D (T4);
 Class II/III, Div. 1/2, Groups E, F & G.
 (Tamb = –55°C to +75°C)



Type 4X
 Conduit seal not required.
 Performance verified in accordance with:
 CSA C22.2 #152.

ATEX: CE 0470 Ex II 2 G
 Ex d IIC T5
 Tamb = –55°C to +75°C
 FM13ATEX0100X
 IP66



Performance verified in accordance with:
 EN 60079-29-1 and EN 50241-1/-2.

IECEx: Ex d IIC T5 Gb
 Tamb = –55°C to +75°C
 IECEx FMG 13.0042X
 IP66
 Performance verified in accordance with:
 IEC 60079-29-1.

DNV: Cert. no. A-12359

По вопросам продаж и поддержки обращайтесь:

Архангельск (8182)63-90-72
Астана +7(7172)727-132
Белгород (4722)40-23-64
Брянск (4832)59-03-52
Владивосток (423)249-28-31
Волгоград (844)278-03-48
Вологда (8172)26-41-59
Воронеж (473)204-51-73
Екатеринбург (343)384-55-89
Иваново (4932)77-34-06
Ижевск (3412)26-03-58
Казань (843)206-01-48
Калининград (4012)72-03-81
Калуга (4842)92-23-67
Кемерово (3842)65-04-62
Киров (8332)68-02-04

Краснодар (861)203-40-90
Красноярск (391)204-63-61
Курск (4712)77-13-04
Липецк (4742)52-20-81
Магнитогорск (3519)55-03-13
Москва (495)268-04-70
Мурманск (8152)59-64-93
Набережные Челны (8552)20-53-41
Нижний Новгород (831)429-08-12
Новокузнецк (3843)20-46-81
Новосибирск (383)227-86-73
Орел (4862)44-53-42
Оренбург (3532)37-68-04
Пенза (8412)22-31-16
Пермь (342)205-81-47
Ростов-на-Дону (863)308-18-15

Рязань (4912)46-61-64
Самара (846)206-03-16
Санкт-Петербург (812)309-46-40
Саратов (845)249-38-78
Смоленск (4812)29-41-54
Сочи (862)225-72-31
Ставрополь (8652)20-65-13
Тверь (4822)63-31-35
Томск (3822)98-41-53
Тула (4872)74-02-29
Тюмень (3452)66-21-18
Ульяновск (8422)24-23-59
Уфа (347)229-48-12
Челябинск (351)202-03-61
Череповец (8202)49-02-64
Ярославль (4852)69-52-93

Единый адрес для всех регионов: acn@nt-rt.ru || www.autronica.nt-rt.ru