

Универсальный дисплей

AV20

Технические характеристики

Архангельск (8182)63-90-72
Астана +7(7172)727-132
Белгород (4722)40-23-64
Брянск (4832)59-03-52
Владивосток (423)249-28-31
Волгоград (844)278-03-48
Вологда (8172)26-41-59
Воронеж (473)204-51-73
Екатеринбург (343)384-55-89
Иваново (4932)77-34-06
Ижевск (3412)26-03-58
Казань (843)206-01-48
Калининград (4012)72-03-81
Калуга (4842)92-23-67
Кемерово (3842)65-04-62
Киров (8332)68-02-04

Краснодар (861)203-40-90
Красноярск (391)204-63-61
Курск (4712)77-13-04
Липецк (4742)52-20-81
Магнитогорск (3519)55-03-13
Москва (495)268-04-70
Мурманск (8152)59-64-93
Набережные Челны (8552)20-53-41
Нижний Новгород (831)429-08-12
Новокузнецк (3843)20-46-81
Новосибирск (383)227-86-73
Орел (4862)44-53-42
Оренбург (3532)37-68-04
Пенза (8412)22-31-16
Пермь (342)205-81-47
Ростов-на-Дону (863)308-18-15

Рязань (4912)46-61-64
Самара (846)206-03-16
Санкт-Петербург (812)309-46-40
Саратов (845)249-38-78
Смоленск (4812)29-41-54
Сочи (862)225-72-31
Ставрополь (8652)20-65-13
Тверь (4822)63-31-35
Томск (3822)98-41-53
Тула (4872)74-02-29
Тюмень (3452)66-21-18
Ульяновск (8422)24-23-59
Уфа (347)229-48-12
Челябинск (351)202-03-61
Череповец (8202)49-02-64
Ярославль (4852)69-52-93



AUTROVU AV20 – EXPLOSION-PROOF UNIVERSAL DISPLAY UNIT

Gas detectors Product datasheet

Features

- Communicates with the GT3000 Detector and allows easy access to important information such as:
 - Sensor fault/status
 - Transmitter fault/status
 - Gas type, range and measurement units
 - History, event, and calibration logs.
- Rugged construction approved for use in classified hazardous areas.
- Performance approved to FM, ATEX, and IEC standards.
- Local 160 x 100 alpha-numeric LCD display continuously displays the gas level, gas type, and units measured.
- Internal magnetic switches provide a non-intrusive user interface.
- Non-intrusive calibration quickly performed by one person using a hand-held magnetic tool.
- Linear 4 to 20 mA output.
- 2-wire loop powered.

Application/Description

The AutoVu AV20 Universal Display Unit is designed to be used with the GT3000 Toxic Gas Detector.

It is recommended for applications where a 2-wire loop powered gas detector is required. The output is a 4-20 mA signal with HART, corresponding to the output of the GT3000 detector.

Gas concentrations are displayed on an alpha-numeric display in ppm (% for O₂). The display unit reads the linear 4-20 mA DC output signal from the GT3000 that corresponds to the detected gas concentration. The AV20 automatically detects the gas type and operating range of the sensor to which it is connected via the HART signal.



All electronics are enclosed in an explosion-proof aluminum or stainless steel housing. The display unit is used with a single GT3000, which may be either directly coupled to the display unit, or remotely located using a sensor termination box. The AV20 features non-intrusive calibration, which can be performed by using a handheld magnet to activate internal magnetic switches on the faceplate. Calibration can also be performed by activating the GT3000's internal magnetic reed switch with a magnet.

The AV20 provides display and control capabilities for the GT3000, and utilizes the following I/O:

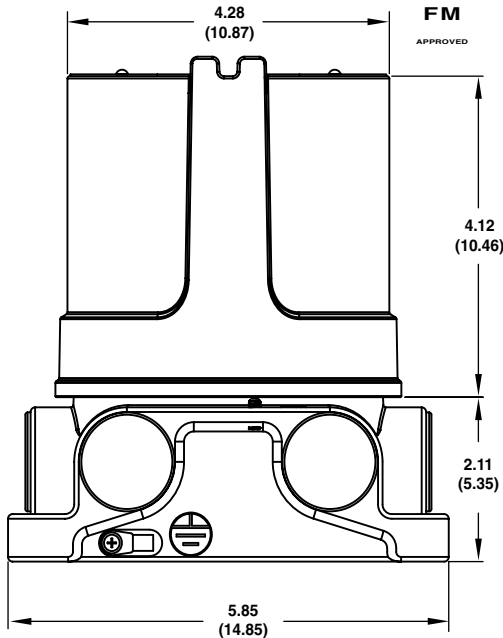
Signal Inputs: 4-20 mA loop from the GT3000

User Inputs: Magnetic switches (4) on the display panel

Visible Outputs: LCD display

Signal Outputs: 4-20 mA

Operating Voltage	24 Vdc nominal, operating range is 19 to 30 Vdc. UD20 maximum loop voltage drop (Vd) 5.0 volts. Maximum loop supply 30.0 Vdc.
Operating Voltage	24 Vdc nominal, operating range is 19 to 30 Vdc.
Operating Power	AV20 maximum loop voltage drop (Vd) 5.0 volts. 0.8 watt maximum. Maximum loop supply 30.0 Vdc..
Operating Current	A minimum of 3.5 mA.
Operating Power	0.8 watt maximum.
Current Output	Linear 4-20 mA with HART output directly from GT3000 termination resistor required (included). 250 ohm termination resistor required (included).
Operating Temperature	-20°C to +70°C.
Operating Temperature	-20°C to +70°C.
Storage Temperature	-40°C to +70°C.
Storage Temperature	-40°C to +70°C.
Humidity Range	5 to 95% RH.
Humidity Range	5 to 95% RH (Det-Tronics verified).
Wiring Terminals	22 to 14 AWG wire can be used.
Wiring Terminals	22 to 14 AWG wire can be used.
Conduit Entries	3/4" NPT or M25 (Five conduit entries standard).
Conduit Entries	3/4" NPT or M25 (Five conduit entries standard).
Enclosure Material	Epoxy coated aluminum or 316 stainless steel.
Enclosure Material	Epoxy coated aluminum or 316 stainless steel.
Shipping Weight	Aluminum: 4.15 pounds (1.88 kilograms).
Shipping Weight	Aluminum: 4.15 pounds (1.88 kilograms). Stainless Steel: 10.5 pounds (4.76 kilograms).
Sensor Compatibility	The AV20 can be used with the GT3000 Toxic Gas Cat 5 Detector.
Warranty	12 months from date of installation or 18 months from date of shipment, whichever ever occurs first.
Dimensions	Dimensions shown in inches (centimeters).



Certification



FM: Class I, Div. 1, Groups B, C & D;
Class I, Div. 2, Groups B, C & D (T4);

FM: Class I, Div. 1, Groups B, C & D (T6);
Class I, Div. 2, Groups B, C & D (T4);
Class II/III, Div. 1/2, Groups E, F & G.
Class I, Zone 1/2, Ex d IIC T6;
Class I, Zone 2, Ex d IIC T6;
Class I/II, Div. 1/2, Groups E, F & G.
IP66
Tamb -20°C to +70°C
FM 6310/6320

NEC Type 4X, IP66
Conduit seal not required.
Conduit seal not required.

Performance verified in accordance with:
Performance verified in accordance with:
ANSI/ISA-92.00.01
ANSI/ISA-92.00.01
ANSI/ISA-92.02.01
ANSI/ISA-92.02.01
FM 6311 (D) (F) (H)
ANSI/ISA-12.13.01
ANSI/ISA-12.13.01
ANSI/ISA-12.13.04/FM 6325
ANSI/ISA-12.13.04/FM 6325
FM 6310/6320
FM 6310/6320

CSA: CSA 08 2162793.
CSA: CSA 08 2162793.

CSA: Class I, Div. 1, Groups B, C & D;
Class I, Div. 2, Groups B, C & D (T4);
Class II/III, Div. 1/2, Groups E, F & G.
Class I, Div. 2, Groups B, C & D (T4);
Class I/II, Div. 1/2, Groups E, F & G.
IP66
Tamb -20°C to +70°C
Conduit seal not required.
(Tamb = -20°C to +70°C)

ATEX: Ex d IIC T6
Ex d IIC T6
Conduit seal not required.

ATEX: FM13ATEX0101X
IP66
Ex d IIC T6
Performance verified in accordance with:
Performance verified in accordance with:
EN 61779-1/-4 and EN 50241-1/-2.
FM08ATEX0044X

IECEx: Ex d IIC T6
IP66
Tamb -20°C to +70°C
Performance verified in accordance with:
Performance verified in accordance with:
IEC 61779-1/-4 and EN 50241-1/-2.

IECEx: Ex d IIC T6
IP66
Tamb -20°C to +70°C
Performance verified in accordance with:
Performance verified in accordance with:
IEC 61779-1, -4.



Refer to Instruction Manual 95-8620 for in-depth information regarding the FlexVu UD20 Universal Display Unit.

Refer to Instruction Manual 116-P-AV20/IGB for in-depth information regarding the
AutroVu AV20 Universal Display Unit. **Detector Electronics Corporation**

6901 West 110th Street • Minneapolis, Minnesota 55438 USA

Operator: (952) 941-5665 or (800) 765-FIRE

Customer Service: (952) 946-6491 • Fax (952) 829-8750

http://www.det-tronics.com • E-mail: det-tronics@det-tronics.com

Specifications subject to change without notice.

Det-Tronics, the DET-TRONICS logo, and FlexVu are registered trademarks or trademarks of Detector Electronics Corporation in the United States, other countries, or both. Other company, product, or service names may be trademarks or service marks of others.

©Copyright Detector Electronics Corporation 2009. All rights reserved.



По вопросам продаж и поддержки обращайтесь:

Архангельск (8182)63-90-72
Астана +7(7172)727-132
Белгород (4722)40-23-64
Брянск (4832)59-03-52
Владивосток (423)249-28-31
Волгоград (844)278-03-48
Вологда (8172)26-41-59
Воронеж (473)204-51-73
Екатеринбург (343)384-55-89
Иваново (4932)77-34-06
Ижевск (3412)26-03-58
Казань (843)206-01-48
Калининград (4012)72-03-81
Калуга (4842)92-23-67
Кемерово (3842)65-04-62
Киров (8332)68-02-04

Краснодар (861)203-40-90
Красноярск (391)204-63-61
Курск (4712)77-13-04
Липецк (4742)52-20-81
Магнитогорск (3519)55-03-13
Москва (495)268-04-70
Мурманск (8152)59-64-93
Набережные Челны (8552)20-53-41
Нижний Новгород (831)429-08-12
Новокузнецк (3843)20-46-81
Новосибирск (383)227-86-73
Орел (4862)44-53-42
Оренбург (3532)37-68-04
Пенза (8412)22-31-16
Пермь (342)205-81-47
Ростов-на-Дону (863)308-18-15

Рязань (4912)46-61-64
Самара (846)206-03-16
Санкт-Петербург (812)309-46-40
Саратов (845)249-38-78
Смоленск (4812)29-41-54
Сочи (862)225-72-31
Ставрополь (8652)20-65-13
Тверь (4822)63-31-35
Томск (3822)98-41-53
Тула (4872)74-02-29
Тюмень (3452)66-21-18
Ульяновск (8422)24-23-59
Уфа (347)229-48-12
Челябинск (351)202-03-61
Череповец (8202)49-02-64
Ярославль (4852)69-52-93

Единый адрес для всех регионов: acn@nt-rt.ru || www.autronica.nt-rt.ru