

Детектор дыма

AutroBeam 25

Технические характеристики

Архангельск (8182)63-90-72
Астана +7(7172)727-132
Белгород (4722)40-23-64
Брянск (4832)59-03-52
Владивосток (423)249-28-31
Волгоград (844)278-03-48
Вологда (8172)26-41-59
Воронеж (473)204-51-73
Екатеринбург (343)384-55-89
Иваново (4932)77-34-06
Ижевск (3412)26-03-58
Казань (843)206-01-48
Калининград (4012)72-03-81
Калуга (4842)92-23-67
Кемерово (3842)65-04-62
Киров (8332)68-02-04

Краснодар (861)203-40-90
Красноярск (391)204-63-61
Курск (4712)77-13-04
Липецк (4742)52-20-81
Магнитогорск (3519)55-03-13
Москва (495)268-04-70
Мурманск (8152)59-64-93
Набережные Челны (8552)20-53-41
Нижний Новгород (831)429-08-12
Новокузнецк (3843)20-46-81
Новосибирск (383)227-86-73
Орел (4862)44-53-42
Оренбург (3532)37-68-04
Пенза (8412)22-31-16
Пермь (342)205-81-47
Ростов-на-Дону (863)308-18-15

Рязань (4912)46-61-64
Самара (846)206-03-16
Санкт-Петербург (812)309-46-40
Саратов (845)249-38-78
Смоленск (4812)29-41-54
Сочи (862)225-72-31
Ставрополь (8652)20-65-13
Тверь (4822)63-31-35
Томск (3822)98-41-53
Тула (4872)74-02-29
Тюмень (3452)66-21-18
Ульяновск (8422)24-23-59
Уфа (347)229-48-12
Челябинск (351)202-03-61
Череповец (8202)49-02-64
Ярославль (4852)69-52-93



Infrared Beamdetector

with transmitter and receiver in same unit.

AutoBeam 25



Application:

AutoBeam 25 is an optical beam detector developed for use in:

- Warehouses / storerooms
- Hotels, hospitals, schools and public buildings
- Stores / shopping centres
- Museums and churches
- Libraries and archives
- Cinemas, theatres and conference centres
- Garages
- Buildings with decorative ceilings

Advantages:

AutoBeam 25 Infrared Optical Beam Fire Detection System.

- Detects areas up to 350m².
- Recommended distance between detector and reflector is 1,5-25m.
- Adjustable sensitivity.
- Transmitter and receiver in the same unit.
- Immune against optical and electromagnetic interference (e.g. sunlight).
- Automatic resetting to normal following temporary obstruction of beam.
- Easy to install.

Description of system:

AutoBeam 25 Comprises three units. A combined transmitter and receiver (Tx-Rx), a reflector and an address/interface unit.

AutoBeam 25 sends an infrared beam with a defined angle spread. This is directed at a reflector mounted at the other side of the area to be monitored, which reflects it back to the receiver (Rx). Any smoke in the area will be detected by the receiver.

AutoBeam 25 detects the presence of the smoke and the time-factor for reduced visibility and the presence of typical frequency.

The various detection signals are diagnosed in the receiver and if all criteria are present, the detector gives alarm and will remain in alarm status until the system

is reset from the control panel.

If the infrared beam is temporarily obstructed, the detector will automatically reset when the obstruction is removed. Any interruption longer than 20-30 seconds will give an error message at the fire alarm control panel. An optical installation normally requires accurately mounted detectors and reflectors. This system can tolerate a certain degree of misalignment of the beam, although both the detector and reflector have adjustable brackets that enable accurate alignment.

Technical data - AutoBeam 25:

Consist of:

Transmitter and receiver in the same housing.
Reflection unit : 85mm diameter

Weight : 0.6 kg
(without bracket)

Materials : Polycarbonate

Colour : Base, dark gray
Front, smoked
Plexiglass
(RAL 7035, 7038)

Light beam : Infrared
Max. range : 1.5 - 25 m
Max. width : 14 m (7m each side)
Max. detection area : **350m²**

Input voltage : 24V d.c. \pm 20%
(must be interrupted for 2-3 seconds on resetting)

Current consumption at 24V d.c.:

Normal : 23 mA
Fault : 37 mA
Alarm : 34 mA
Alarm + Fault : 48 mA

Degree of protection : IP 44

Working temperature : -40 to +65°C

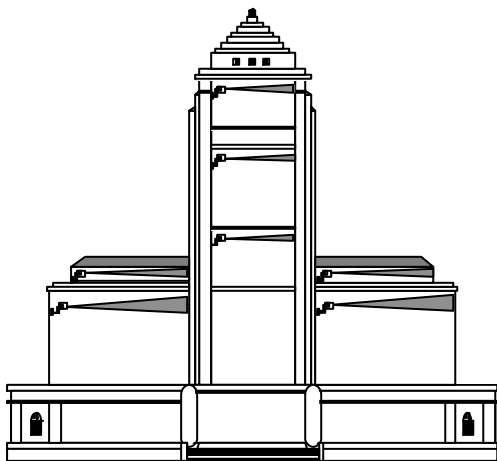
Humidity (non condensing) : Max. 95% R.H.

Approval : European test EN54/9

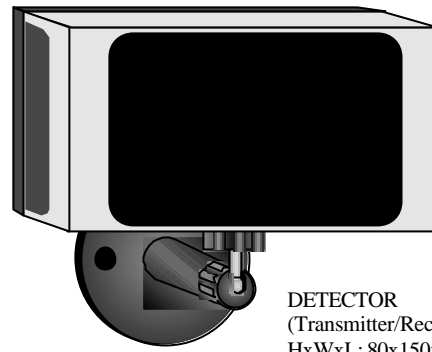
Recommended Fire Alarm Control Panel:

BS-100, BS-60 and BX-40(conventional).

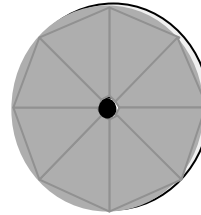
Examples of how the system can be installed:



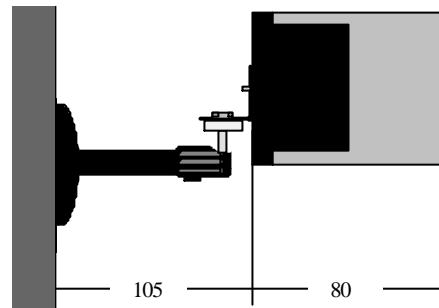
Dimensions and connections:



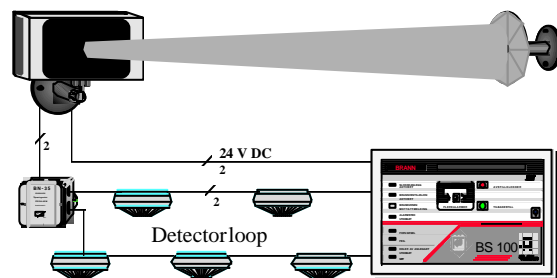
DETECTOR
(Transmitter/Receiver)
HxWxL: 80x150x80mm



REFLECTOR
Ø=85mm



Adjustable: 180° horizontally
90° vertically



По вопросам продаж и поддержки обращайтесь:

Архангельск (8182)63-90-72
Астана +7(7172)727-132
Белгород (4722)40-23-64
Брянск (4832)59-03-52
Владивосток (423)249-28-31
Волгоград (844)278-03-48
Вологда (8172)26-41-59
Воронеж (473)204-51-73
Екатеринбург (343)384-55-89
Иваново (4932)77-34-06
Ижевск (3412)26-03-58
Казань (843)206-01-48
Калининград (4012)72-03-81
Калуга (4842)92-23-67
Кемерово (3842)65-04-62
Киров (8332)68-02-04

Краснодар (861)203-40-90
Красноярск (391)204-63-61
Курск (4712)77-13-04
Липецк (4742)52-20-81
Магнитогорск (3519)55-03-13
Москва (495)268-04-70
Мурманск (8152)59-64-93
Набережные Челны (8552)20-53-41
Нижний Новгород (831)429-08-12
Новокузнецк (3843)20-46-81
Новосибирск (383)227-86-73
Орел (4862)44-53-42
Оренбург (3532)37-68-04
Пенза (8412)22-31-16
Пермь (342)205-81-47
Ростов-на-Дону (863)308-18-15

Рязань (4912)46-61-64
Самара (846)206-03-16
Санкт-Петербург (812)309-46-40
Саратов (845)249-38-78
Смоленск (4812)29-41-54
Сочи (862)225-72-31
Ставрополь (8652)20-65-13
Тверь (4822)63-31-35
Томск (3822)98-41-53
Тула (4872)74-02-29
Тюмень (3452)66-21-18
Ульяновск (8422)24-23-59
Уфа (347)229-48-12
Челябинск (351)202-03-61
Череповец (8202)49-02-64
Ярославль (4852)69-52-93

Единый адрес для всех регионов: acn@nt-rt.ru || www.autronica.nt-rt.ru