

Панели

AutroSafe

Технические характеристики

Архангельск (8182)63-90-72
Астана +7(7172)727-132
Белгород (4722)40-23-64
Брянск (4832)59-03-52
Владивосток (423)249-28-31
Волгоград (844)278-03-48
Вологда (8172)26-41-59
Воронеж (473)204-51-73
Екатеринбург (343)384-55-89
Иваново (4932)77-34-06
Ижевск (3412)26-03-58
Казань (843)206-01-48
Калининград (4012)72-03-81
Калуга (4842)92-23-67
Кемерово (3842)65-04-62
Киров (8332)68-02-04

Краснодар (861)203-40-90
Красноярск (391)204-63-61
Курск (4712)77-13-04
Липецк (4742)52-20-81
Магнитогорск (3519)55-03-13
Москва (495)268-04-70
Мурманск (8152)59-64-93
Набережные Челны (8552)20-53-41
Нижний Новгород (831)429-08-12
Новокузнецк (3843)20-46-81
Новосибирск (383)227-86-73
Орел (4862)44-53-42
Оренбург (3532)37-68-04
Пенза (8412)22-31-16
Пермь (342)205-81-47
Ростов-на-Дону (863)308-18-15

Рязань (4912)46-61-64
Самара (846)206-03-16
Санкт-Петербург (812)309-46-40
Саратов (845)249-38-78
Смоленск (4812)29-41-54
Сочи (862)225-72-31
Ставрополь (8652)20-65-13
Тверь (4822)63-31-35
Томск (3822)98-41-53
Тула (4872)74-02-29
Тюмень (3452)66-21-18
Ульяновск (8422)24-23-59
Уфа (347)229-48-12
Челябинск (351)202-03-61
Череповец (8202)49-02-64
Ярославль (4852)69-52-93



Features

- Accommodates up to a maximum of 12 modules, of which maximum six can be loop-driver modules
- Addressable electronic sounders can be connected directly on the detector loop
- Capable of surface or flush mounting and for rack mounting in standard 19" cabinets
- Designed to meet EN-54 requirements, and conforms to CE standards
- Complies to environmental conditions of IEC-721-3-3 class 3k5
- Indicators for fault and power

Applications

The Controller, BC-320, serves as a connection unit for the detector loop, alarm sounders, controls and inputs.

The panel can accommodate up to a maximum of 12 modules. The system offers a *Loop-Driver Module* for detector loops and several types of *I/O modules* for monitored outputs, open-collector outputs, galvanic isolated inputs and monitored inputs. There can be a maximum of six loop-driver modules in each panel. All modules are easily plugged onto each other on a standard mounting rail inside the unit.

The Controller communicates with other system units on the local operating network, AUTROLON.

It has a 230V AC/3A power module for operation and battery charging, and can accommodate a 24V/12 Ah battery.

Capacity

- There can be a maximum of 32 panels in a LON-ring (EN-54). A demand for more than 32 panels requires several LON-rings
- Each unit can be equipped with a maximum of 12 modules, of which maximum six can be loop-driver modules
- 127 detectors, manual call-points and I/O units can be connected to each detector loop. Of these, maximum 100 can be detectors/manual call-points
- A maximum of 512 detectors and manual call-points can be connected to each controller



Indicators

- Power (green)
- Fault (yellow)

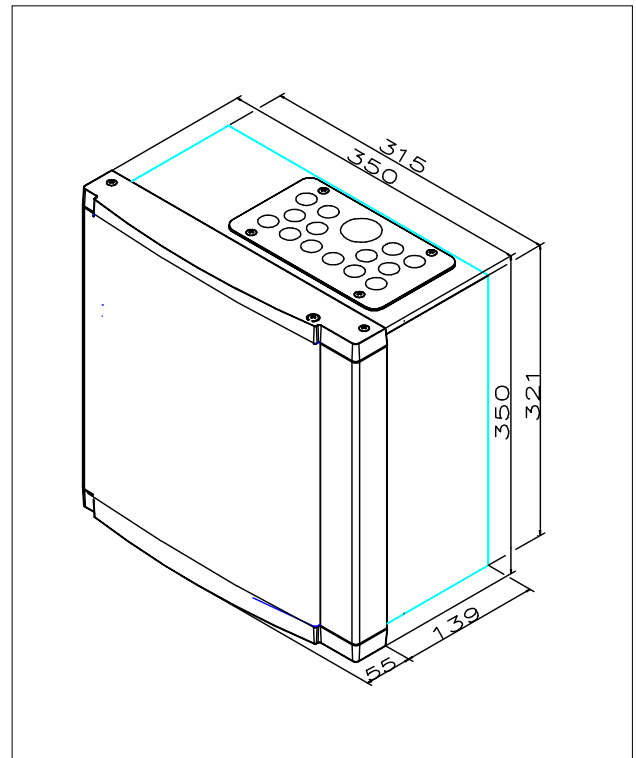
Optional I/O Modules

- *Loop-Driver Module* (BSD-310/311). For connection of detector loops. One detector loop can be connected to each module. A maximum of 127 loop units (detectors, manual call-points, I/O-units and/or electronic sounders) can be connected to each detector loop
- *Output Module* (BSB-310), with 4 monitored outputs. For connection to fire alarm devices (FAD), such as sounders etc., and fire-protection equipment (FPE) such as fire doors, ventilation controllers or fire extinguishers. Also suitable for connection to fire alarm routing equipment (FARE), such as fire brigade equipment, and for connection to fault outputs (FWRE)
- *Output Module* (BSJ-310), with eight open collector non-monitored outputs. For connection of external LED-indication panel
- *Input Module* (BSE-310) with four monitored inputs
- *Input Module* (BSE-320), with eight non-monitored inputs (galvanically isolated)

Technical Specifications

Dimensions (mm)	350x350x194
Cut-Out Dimensions (mm)	320x330x140
Weight	(Without I/O modules and batteries) 8,5 kg
Materials	Steel cabinet, ABS/PC-moulded front
Mounting	Surface or flush mounting
Protection class	IEC-529 / IP30
Operating Temperature	0°C to +55°C
Storage Temperature	-40°C to +70°C
Power supply	230VAC (160-265VAC) Frequency: 47-63Hz or 24V DC
Current consumption	130 mA at 27V DC (when no I/O modules are connected)
Capacity – Loop-Driver Modules and I/O Modules	Maximum 12 modules (a combination of BSD-310, BSB-310, BSE-310/320 and BSJ-310)
Capacity – Loop-Driver Module	Maximum six BSD-310/ 311. The maximum number of detectors and manual call-points that can be connected to these six modules is 512 (refer to EN-54). Maximum 127 detectors/manual call-points/electronic sounders/ I/O units on each detector loop
Batteries	2 x 12V = 24V not included
Detector connection	By use of BSD-310/BSJ-311
Inputs	By use of BSE-310 and BSE-320
Outputs	By use of BSB-310 and BSJ-310
Communication	AutroLON AutroCom/Ethernet AutroCom/Serial Port

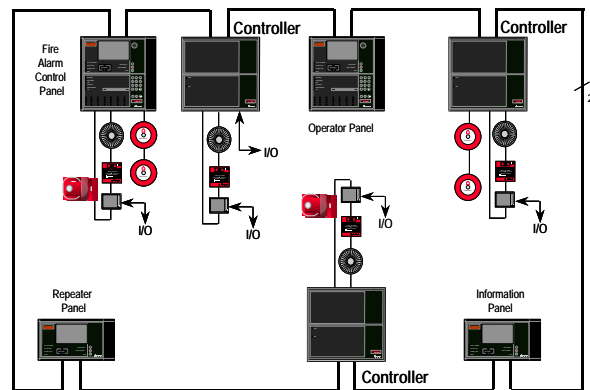
Dimensions



Order Numbers

Order number	Description
BC-320/GB200	Without I/O modules and battery (maximum seven I/O modules)
BC-320/GB101	One piece BSD-310, one piece BSB-310, with space for battery
BC-320/GB202	Two pieces BSD-310, one piece BSB-310, with no space for battery
BC-320/GB203	Four pieces BSD-310, one piece BSB-310, with no space for battery
Options:	
BSD-310/311	Loop-Driver Module
BSB-310	Output Module with four monitored outputs
BSJ-310	Output Module with eight open collector outputs Non-monitored
BSE-310	Input Module (Four monitored inputs)
BSE-320	Input Module (Eight non-monitored, galvanically isolated inputs)
Options:	AutroCom/Ethernet or Serial Port
Options:	Language

System Overview



Features

- Self-Verify function for automatic testing of detectors
- Automatic addressing of detectors
- Accommodates up to a maximum of 12 modules, of which maximum six can be Loop Driver Modules
- User-friendly display and operator controls
- Backlit operational buttons. Text display suitable for full darkness operation
- Surface or flush mounting, or rack mounting in standard 19" cabinets
- Designed to meet EN-54 and LPCB requirements, and conforms to CE standards
- Complies with environmental conditions of IEC-721-3-3 class 3k5

Application/Description

BS-310/320 is a complete fire alarm control panel with full operation capabilities. The panel serves as an operating panel for one or several defined *operation* zones. All alarm handling and system features can be controlled and monitored from the panel.

The panel can accommodate up to a maximum of 12 modules. The system offers a *Loop Driver Module* for detector loops and several types of *I/O modules* for monitored outputs, open collector outputs, galvanic isolated inputs and monitored inputs. There can be a maximum of six Loop Driver Modules in each panel. All modules are easily plugged onto each other on a standard mounting rail inside the unit.

The panel is menu operated on a 16-line display, with 40 characters per line. A built-in printer is available as an option.

With a LON Interface the Fire-Alarm Control Panel can communicate with other system units on the local operating network, AutoLON. This interface is standard in BS-320, and not included in BS-310. The panel has a 230VAC/3A power module for battery charging, and a built-in emergency battery.

Indicators

- 16 x 40-character alphanumeric display
- Fire/Alarm, More Events, Fault, Function Disabled, Function Delayed, Fire Brigade Signaled, Power, Testing, Fire Brigade Disabled, Fire Brigade Fault, System Fault, Alarms Disabled, Alarms Fault
- Internal buzzer

Operator Controls

- More Events, Mute Panel, Silence Alarms, Reset
- Keyboard with alphanumeric characters and scroll function
- Separate buttons for menu operation
- Backlit buttons and text



Optional I/O Modules

- *Loop Driver Module* (BSD-310/311). For connection of detector loops. One detector loop can be connected to each module. A maximum of 127 loop units (detectors, manual call-points, I/O-units and/or electronic sounders) can be connected to each detector loop
- *Output Module* (BSB-310), with four monitored outputs. For connection to fire-alarm devices (FAD), such as sounders etc., and fire-protection equipment (FPE) such as fire doors, ventilation controllers or fire extinguishers. Also suitable for connection to fire-alarm routing equipment (FARE), such as fire brigade equipment, and for connection to fault outputs
- *Output Module* (BSJ-310), with eight open collector, non-monitored outputs. For connection of external LED-indication panel
- *Input Module* (BSE-310) with four monitored inputs
- *Input Module* (BSE-320), with eight non-monitored inputs (galvanic isolated)

Capacity

- There can be a maximum of 32 panels in a LON ring (EN-54). A demand for more than 32 panels requires several LON rings
- Each unit can be equipped with a maximum of 12 of the above modules, of which maximum six can be Loop Driver Modules (cabinet without internal batteries)
- A maximum of 512 detectors and manual call-points can be connected to each Fire-Alarm Control Panel (EN-54)

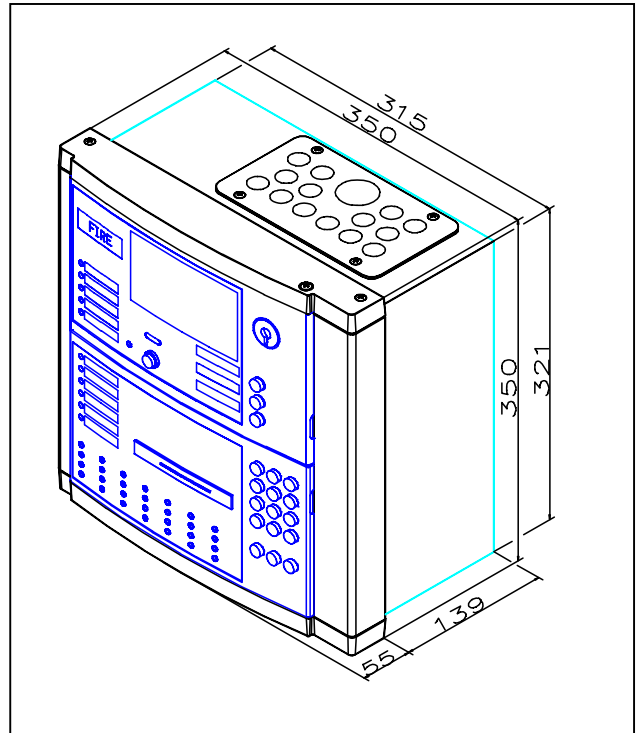
Technical Specifications

Dimensions (mm)	350 x 350 x 194
Weight	8,5 kg (without I/O modules and batteries)
Materials	Steel cabinet, ABS/PC moulded front
Mounting	Surface or flush mounting
Protection class	IEC-529 / IP30
Operating Temperature	0°C to +55°C
Storage Temperature	-40°C to +70°C
Power supply	230VAC (160-265VAC) Frequency: 47-63Hz or 24VDC
Current consumption	250mA at 27VDC (when no I/O modules are connected)
Capacity – Loop Driver Modules and I/O Modules	Maximum 12 modules i cabinets without batteries. (A combination of BSD-310, BSB-310, BSE-310/320 and BSJ-310)
Capacity – Loop Driver Module	Maximum 6 BSD-310s. The maximum number of detectors and manual call-points that can be connected to these six modules are 512 (refer to EN-54)
Batteries	2 x 12V = 24V not included
Detector connection	By use of BSD-310/ BSD-311
Inputs	By use of BSE-310 and BSE-320 or
Outputs	By use of BSB-310 and BSJ-310
Communication	AutroLON (BS-320 only) AutroCom / Ethernet or Serial Port

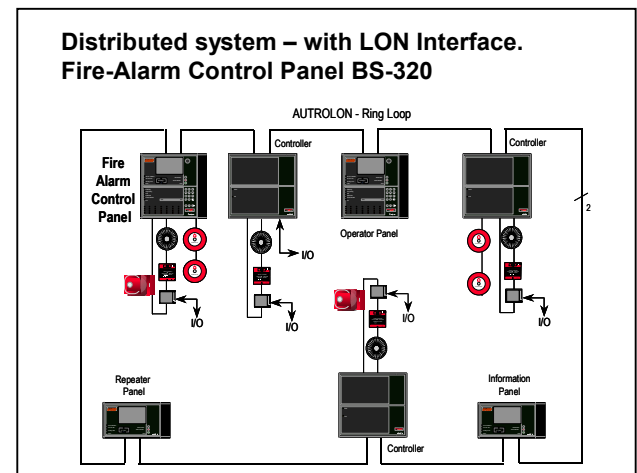
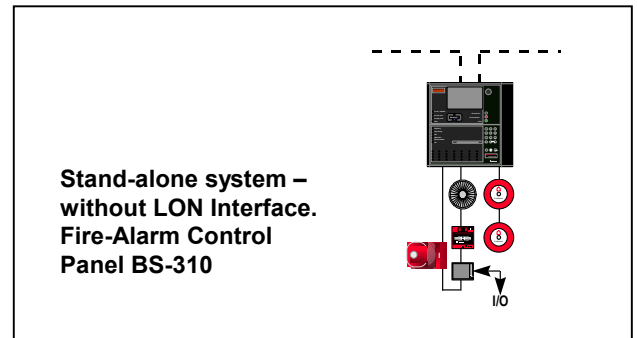
Order Numbers

Order number	Description
BS-310/-	Operator Panel
BS-320/-	Operator Panel
Options:	
BSD-310/311	Loop Driver Module
BSB-310	Output Module w/four monitored outputs
BSJ-310	Control Output Module w/eight open collector outputs Non-monitored
BSE-310	Input Module (four monitored inputs)
BSE-320	Input Module (eight non-monitored galvanic isolated inputs)
BUP-310	Printer
	AutroCom / Ethernet or Serial Port
	Language

Dimensions



System Overview



Autronica Fire and Security AS

Oil & Gas, Stavanger, Norway. Phone: + 47 51 84 09 00, fax: + 47 51 84 09 99
 Maritime Sales, Spikkestad, Norway. Phone: + 47 31 29 55 00, fax: + 47 31 29 55 01

Features

- Self-Verify Function for automatic testing of detectors.
- Automatic addressing of detectors.
- User-friendly display and operator controls.
- Backlighted operational buttons. Text display suitable for full darkness operation.
- Capable of surface or flush mounting and for rack mounting in standard 19" cabinets.
- Designed to meet EN-54 requirements and conforms to CE standards.
- Complies to environmental conditions of IEC-721-3-3 class 3k5.

Applications

BS-330 serves as an operating panel for one or several defined *operation zones*.

All alarm handling and system features can be controlled and monitored from the panel. A restricted scope of operation may be configured.

The panel communicates with Controllers and the entire system via the AutroLON local operating network.

There can be a maximum of 32 panels in a LON- ring (EN-54). Demand for more than 32 panels needs several LON-rings.

The panel is menu operated on a 16 lines display with 40 characters per line.

External 24 V DC supply is required.

Indicators

16 x 40 characters alphanumeric display

Fire / Alarm, More Events, Fault, Function Disabled, Function Delayed, Fire Brig. Signalled, Power, Testing, Fire Brigade Disabled, Fire Brig. Fault, System Fault, Alarms Disabled, Alarms Fault.

Internal buzzer.

Operater control

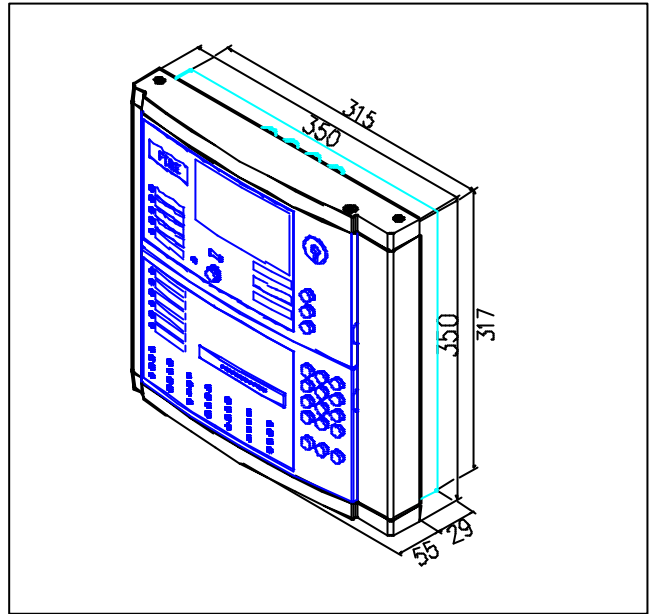
- More Events, Mute Panel, Silence Alarms, Reset.
- Numeric keyboard, with scroll and alpha characters.
- Separate buttons for menu operation.



Technical Specifications

Dimensions (mm)	350x350x84
Weight	3,4 kg
Materials	Steel cabinet, ABS/PC moulded front
Protection class	IEC-529 / IP30
Power supply	24V DC Two individual sources may be connected.
Current Consumption	170mA at 27V DC
Communication	AutroLON

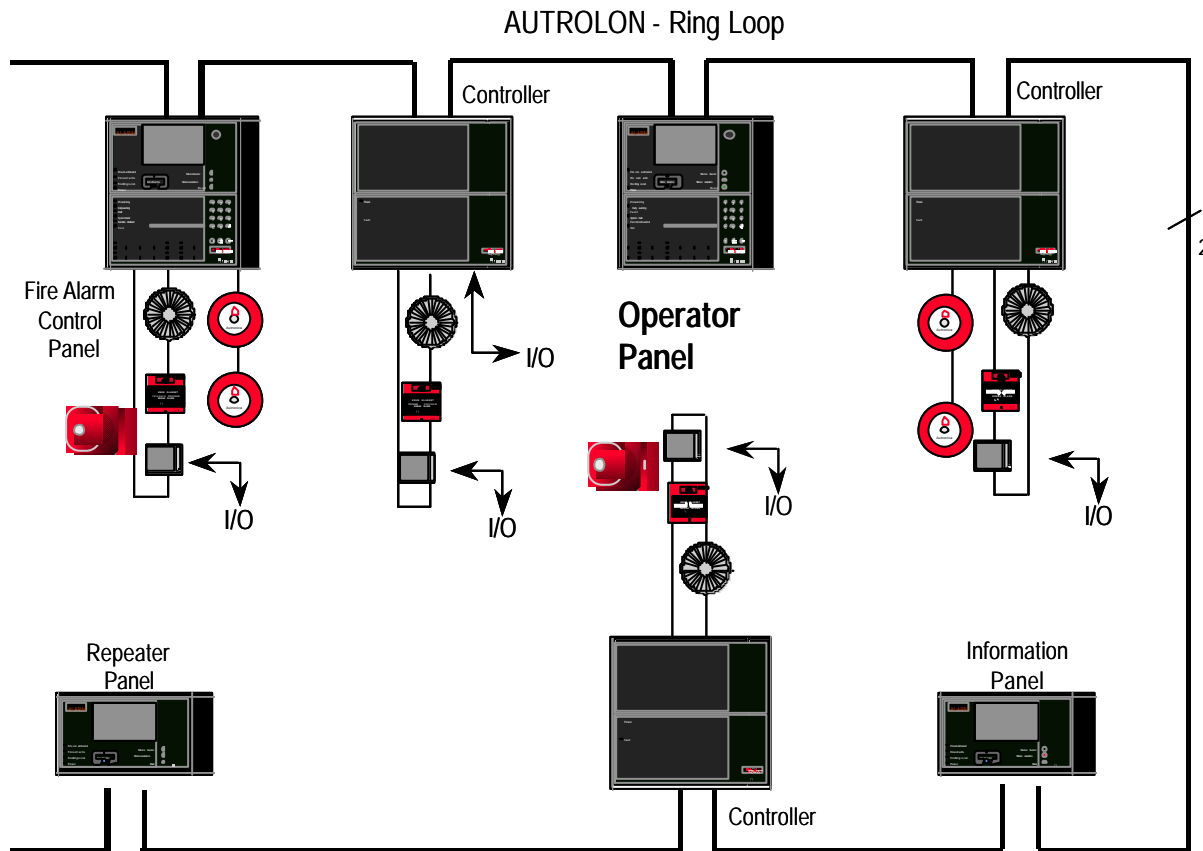
Dimensions



Order Numbers

Order number	Description
BS-330	Operator Panel
Options:	
	Language
BUP-310	Printer

System Overview



Autronica Fire and Security AS

Oil & Gas, Stavanger, Norway. Phone: + 47 51 84 09 00, fax: + 47 51 84 09 99.
 Autronica Industrial Ltd., Watford, United Kingdom. Phone: 1923 23 37 68, fax: 1923 22 55 77.

Features

- User-friendly display and operator controls
- Backlit operational buttons. Text display suitable for full darkness operation
- 16-line display with 40 characters per line
- Surface or flush mounting, or rack mounting in standard 19" cabinets
- Designed to meet local regulations, and conforms to CE standards
- Complies to environmental conditions of IEC-721-3-3 class 3k5

Applications

The Repeater Panel BU-320 displays alarms and allows you to operate alarms and receive additional information related to the relevant operation zone.

The panel is used to silence sounders and to reset alarms within a defined operation zone. The whole system can be reset from this panel, provided that the panel's relation to the operation zone is defined this way.

The panel communicates with other system units on the local operating network, AUTROLON.

There can be a maximum of 32 panels in a LON-ring (EN-54). A demand for more than 32 panels requires several LON-rings.

External 24VDC power is required.

Text Display

16 x 40-character alphanumeric display

Indicators (standard)

- Fire/Alarm, Function Disabled, Function Delayed, Power
- Internal buzzer

Operator Controls

- More Events button
- Mute Panel button
- Silence Alarms button
- Reset button

Operator Key

- Key operation for access to alarm operation (access level 2)



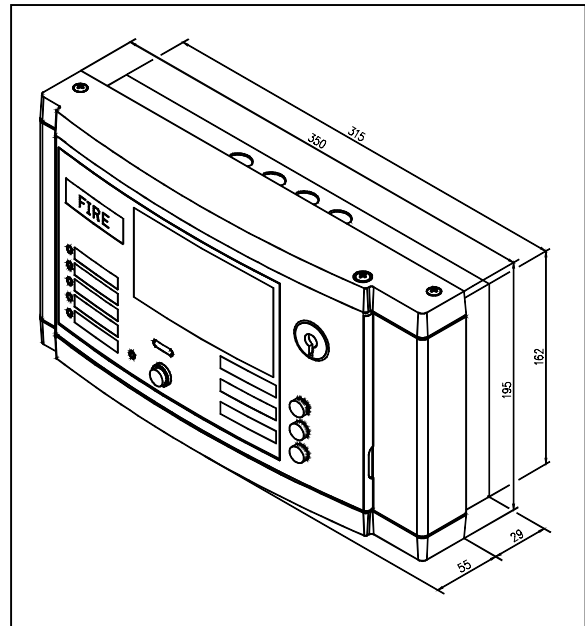
Technical Specifications

Dimensions (mm)	350 x 195 x 84
Weight	2,3 Kg
Materials	Steel cabinet, ABS/PC moulded front
Protection class	IEC-529 / IP30
Power supply	24VDC Two individual 24V sources may be connected for redundancy.
Current Consumption	180 mA
Communication	AUTROLON

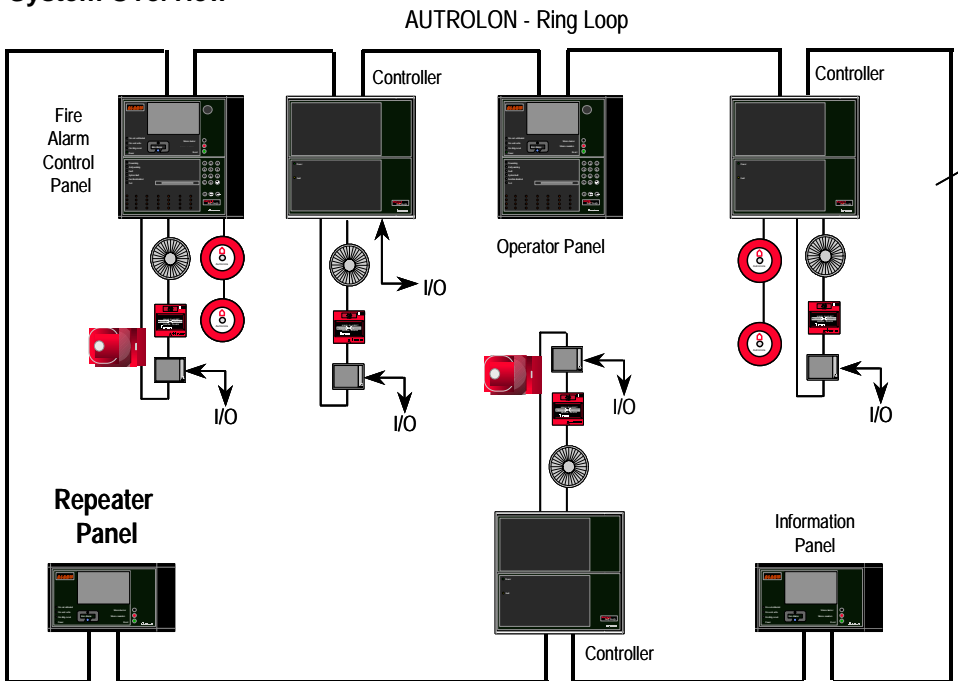
Order Numbers

Order number	Description
BU-320/N	Repeater Panel, Norwegian
BU-320/DK	Repeater Panel, Danish
BU-320/GB	Repeater Panel, English
BU-320/NL	Repeater Panel, Dutch
BU-320/S	Repeater Panel, Swedish

Dimensions



System Overview



Autronica Fire and Security AS

Oil & Gas, Stavanger, Norway. Phone: + 47 51 84 09 00, fax: + 47 51 84 09 99
 Maritime Sales, Spikkestad, Norway. Phone: + 47 31 29 55 00, fax: + 47 31 29 55 01

Features

- User-friendly display and operator controls.
- Scroll function for more alarms.
- Possible to change to different event windows.
- Backlighting operational buttons. Text display suitable for full darkness operation.
- 16 lines display with 40 characters per line.
- Capable of surface or flush mounting and for rack mounting in standard 19" cabinets.
- Designed to meet local regulations and conforms to CE standards.
- Complies to environmental conditions of IEC-721-3-3 class 3k5.



Applications

The Information Panel BV-320 serves as an indication device only. It provides information related to the defined operation zone(s).

The panel offers a *More Events* button for scrolling through several alarms within the same event window.

The *Next Window* button allows you to step to a new event window, for example from Fire to Fault Warning window.

The *Lamp Test* button activates all indicators to be lit for 5 seconds.

The panel communicates with other system units on the local operating network, AUTROLON. There can be a maximum of 32 panels in a LON- ring (EN-54). Demand for more than 32 panels needs several LON-rings. External 24V DC power is required.

Text Display

- 16 x 40 characters alphanumeric display

Indicators

- Fire / Alarm, Function Disabled, Function Delayed, Test, Power.
- Internal buzzer.

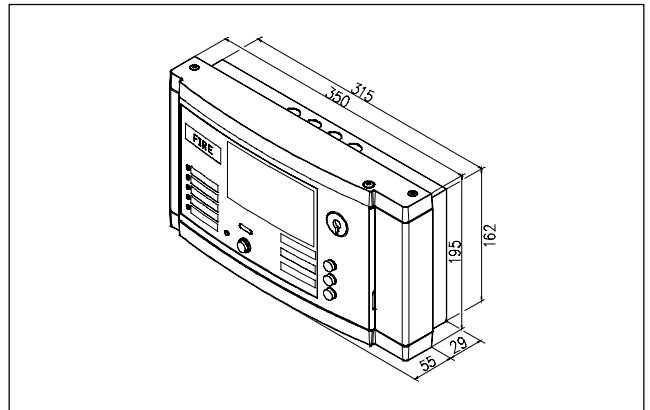
Operator Controls

- More Events button (black)
- Mute Panel button (black)
- Next Window button (red)
- Lamp Test button (green)

Technical Specifications

Dimensions (mm)	350x195x84
Cut Out Dimensions	320 x 170 x 30 mm
Weight	2,3 kg
Materials	Steel cabinet, ABS/PC moulded front
Protection class	IEC-529 / IP30
Power supply	24V DC Two individual 24V sources may be connected for redundancy.
Current Consumption	180mA
Communication	AUTROLON

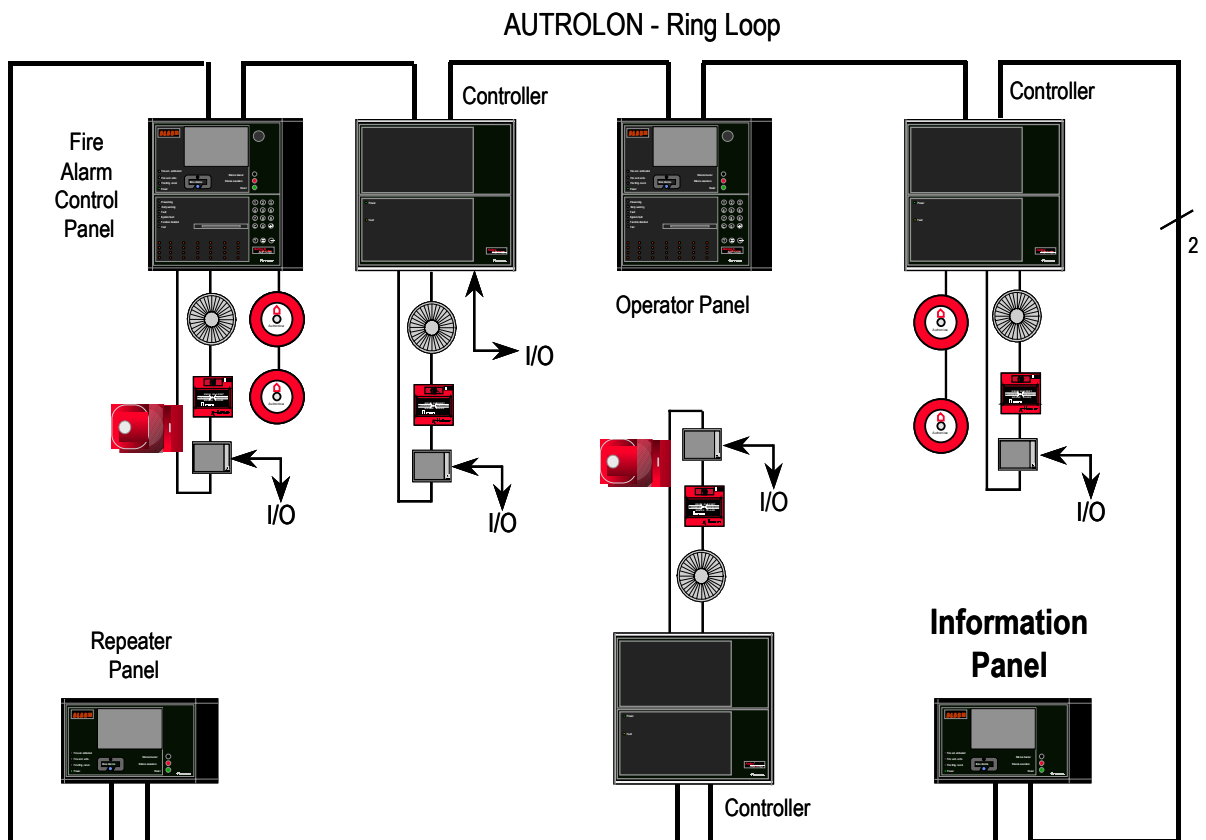
Dimensions



Order Numbers

Order number	Description
BV-320/N	Information Panel, Norwegian
BV-320/D	Information Panel, Danish
BV-320/GB	Information Panel, English
BV-320/NL	Information Panel, Dutch
BV-320/S	Information Panel, Swedish

System Overview



Autronica Fire and Security AS

Oil & Gas, Stavanger, Norway. Phone: + 47 51 84 09 00, fax: + 47 51 84 09 99.
 Autronica Industrial Ltd., Watford, United Kingdom. Phone: 1923 23 37 68, fax: 1923 22 55 77.

Features

- User-friendly display and operator controls.
- Scroll function for more alarms.
- Possible to change to different event windows.
- Backlighting operational buttons. Text display suitable for full darkness operation.
- 16 lines display with 40 characters per line.
- Capable of surface or flush mounting and for rack mounting in standard 19" cabinets.
- Designed to meet local regulations and conforms to CE standards.
- Complies to environmental conditions of IEC-721-3-3 class 3k5.



Applications

The Information Panel BV-320 serves as an indication device only. It provides information related to the defined operation zone(s).

The panel offers a *More Events* button for scrolling through several alarms within the same event window.

The *Next Window* button allows you to step to a new event window, for example from Fire to Fault Warning window.

The *Lamp Test* button activates all indicators to be lit for 5 seconds.

The panel communicates with other system units on the local operating network, AUTROLON. There can be a maximum of 32 panels in a LON- ring (EN-54). Demand for more than 32 panels needs several LON-rings. External 24V DC power is required.

Text Display

- 16 x 40 characters alphanumeric display

Indicators

- Fire / Alarm, Function Disabled, Function Delayed, Test, Power.
- Internal buzzer.

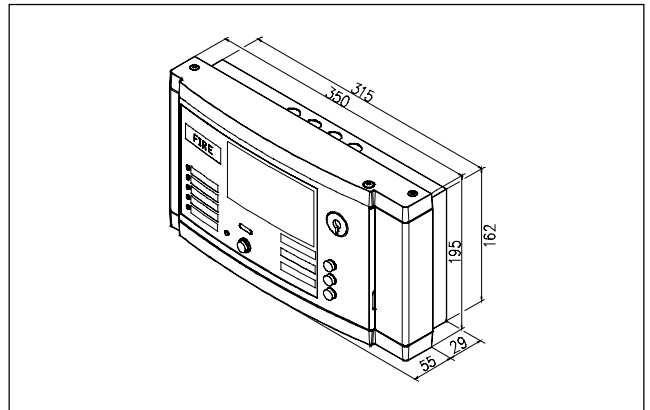
Operator Controls

- More Events button (black)
- Mute Panel button (black)
- Next Window button (red)
- Lamp Test button (green)

Technical Specifications

Dimensions (mm)	350x195x84
Cut Out Dimensions	320 x 170 x 30 mm
Weight	2,3 kg
Materials	Steel cabinet, ABS/PC moulded front
Protection class	IEC-529 / IP30
Power supply	24V DC Two individual 24V sources may be connected for redundancy.
Current Consumption	180mA
Communication	AUTROLON

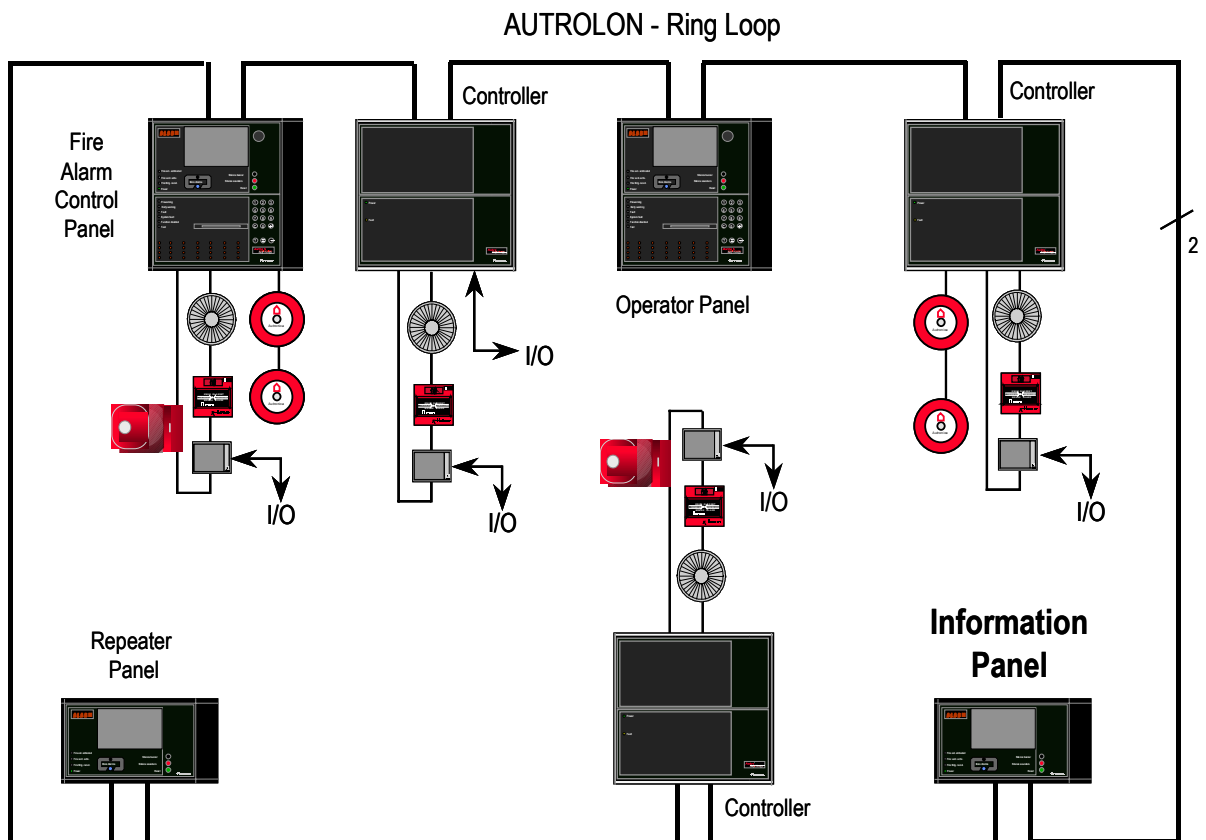
Dimensions



Order Numbers

Order number	Description
BV-320/N	Information Panel, Norwegian
BV-320/D	Information Panel, Danish
BV-320/GB	Information Panel, English
BV-320/NL	Information Panel, Dutch
BV-320/S	Information Panel, Swedish

System Overview



Autronica Fire and Security AS

Oil & Gas, Stavanger, Norway. Phone: + 47 51 84 09 00, fax: + 47 51 84 09 99.
 Autronica Industrial Ltd., Watford, United Kingdom. Phone: 1923 23 37 68, fax: 1923 22 55 77.

По вопросам продаж и поддержки обращайтесь:

Архангельск (8182)63-90-72
Астана +7(7172)727-132
Белгород (4722)40-23-64
Брянск (4832)59-03-52
Владивосток (423)249-28-31
Волгоград (844)278-03-48
Вологда (8172)26-41-59
Воронеж (473)204-51-73
Екатеринбург (343)384-55-89
Иваново (4932)77-34-06
Ижевск (3412)26-03-58
Казань (843)206-01-48
Калининград (4012)72-03-81
Калуга (4842)92-23-67
Кемерово (3842)65-04-62
Киров (8332)68-02-04

Краснодар (861)203-40-90
Красноярск (391)204-63-61
Курск (4712)77-13-04
Липецк (4742)52-20-81
Магнитогорск (3519)55-03-13
Москва (495)268-04-70
Мурманск (8152)59-64-93
Набережные Челны (8552)20-53-41
Нижний Новгород (831)429-08-12
Новокузнецк (3843)20-46-81
Новосибирск (383)227-86-73
Орел (4862)44-53-42
Оренбург (3532)37-68-04
Пенза (8412)22-31-16
Пермь (342)205-81-47
Ростов-на-Дону (863)308-18-15

Рязань (4912)46-61-64
Самара (846)206-03-16
Санкт-Петербург (812)309-46-40
Саратов (845)249-38-78
Смоленск (4812)29-41-54
Сочи (862)225-72-31
Ставрополь (8652)20-65-13
Тверь (4822)63-31-35
Томск (3822)98-41-53
Тула (4872)74-02-29
Тюмень (3452)66-21-18
Ульяновск (8422)24-23-59
Уфа (347)229-48-12
Челябинск (351)202-03-61
Череповец (8202)49-02-64
Ярославль (4852)69-52-93

Единый адрес для всех регионов: acn@nt-rt.ru || www.autronica.nt-rt.ru