

Панель управления

VX-10

Технические характеристики

Архангельск (8182)63-90-72
Астана +7(7172)727-132
Белгород (4722)40-23-64
Брянск (4832)59-03-52
Владивосток (423)249-28-31
Волгоград (844)278-03-48
Вологда (8172)26-41-59
Воронеж (473)204-51-73
Екатеринбург (343)384-55-89
Иваново (4932)77-34-06
Ижевск (3412)26-03-58
Казань (843)206-01-48
Калининград (4012)72-03-81
Калуга (4842)92-23-67
Кемерово (3842)65-04-62
Киров (8332)68-02-04

Краснодар (861)203-40-90
Красноярск (391)204-63-61
Курск (4712)77-13-04
Липецк (4742)52-20-81
Магнитогорск (3519)55-03-13
Москва (495)268-04-70
Мурманск (8152)59-64-93
Набережные Челны (8552)20-53-41
Нижний Новгород (831)429-08-12
Новокузнецк (3843)20-46-81
Новосибирск (383)227-86-73
Орел (4862)44-53-42
Оренбург (3532)37-68-04
Пенза (8412)22-31-16
Пермь (342)205-81-47
Ростов-на-Дону (863)308-18-15

Рязань (4912)46-61-64
Самара (846)206-03-16
Санкт-Петербург (812)309-46-40
Саратов (845)249-38-78
Смоленск (4812)29-41-54
Сочи (862)225-72-31
Ставрополь (8652)20-65-13
Тверь (4822)63-31-35
Томск (3822)98-41-53
Тула (4872)74-02-29
Тюмень (3452)66-21-18
Ульяновск (8422)24-23-59
Уфа (347)229-48-12
Челябинск (351)202-03-61
Череповец (8202)49-02-64
Ярославль (4852)69-52-93



Features

- Modern and user-friendly design.
- Simple installation.
- 4 conventional detection zones, monitored for break/short circuit, each with a capacity for up to 32 detectors.
- Alarms/error warnings notified with LEDs on the front panel and alarm/error outputs.
- Easy-to-operate using the keypad.
- «Key-less» operation.
- Password-protected operator mode.
- Keypad with background light for operation in dark surroundings.
- Digital inputs for technical alarms.
- Inputs for remote disablement of detection zones.
- Remote reset of control panel
- Simple activation of immediate alarm disabled (day/night function).

Application

The BX-10 fire alarm control panel is a modern conventional panel designed for minor installations. Among several applications, the BX-10 is especially suitable for day-care centres, schools, smaller stores, industrial buildings, smaller overnight stops, farm buildings and for automatic and distant telecommunication installations.

BX-10M (M stands for Maritime version) is also suitable for fishing boats, work boats, yachts and smaller cargo boats.

The system covers 4 conventional detection zones. Up to 32 detectors/manual call-points can be connected to each zone. Manual call-points and automatic detectors can be connected to the same zone. A disablement of a zone will not disable the manual call-points in the disabled zone.

The control panel provides an integrated temperature compensated power supply and emergency batteries.

Detection zones, alarm outputs and controls can be disabled from the front panel.

BX-10 can work together with all types of Autronica standard conventional detectors.

The control panel complies with EN-54 requirements and meets the EMC requirements for CE standards. For maritime installation, the panel complies with SOLAS convention, and meets the maritime requirements.



Inputs/outputs

Inputs:

- 4 zone circuits for detectors, single loop with endload.
- 4 inputs for connection of zone disablement switches.
- Input for remote activation of sounders (evacuation/school bell).
- Input for remote control of day/night function (immediate alarm disabled).
- Input for remote disablement of alarm outputs (sounders).
- Input for remote sounder silence.
- Input for remote system reset.
- 230V AC mains power connection.

Outputs:

- 24V DC / 0,63A to external equipment.
- 12V DC / 0,4 A to external equipment.
- 12V and 24V power outputs with short interruption at reset. For use of intruder detectors (PIR-detectors).
- 2 alarm outputs for sounders (monitored for break/short circuit).
- Alarm output (BMA), optional 24V DC and potential free relay output.
- Error output (BMF), optional 24V DC and potential free relay output.
- 24V DC / 0,2A output for fire doors.
- 4 control outputs for zones 1-4 (transistor outputs).
- Transistor output (AUX 1), activated when detection zone is disabled.



Technical specifications

Dimensions	HxWxD = 196x350x125 mm
Weight exc. battery	2,8 kg
Weight incl. battery	5,1 kg
Material	Operating panel: Black, polycarbonate Connection box: Steel cabinet, black
Environment	IEC / IP 30 Temperature: -5 to 40°C Relative humidity: < 93 %
Power	230V AC +10% - -15% (50-60Hz), 0,5A
Detector loop	14V DC ± 0,5V
Back-up battery	2 x 12V / 3 - 3,3Ah L x W x H = 133,5 x 67 x 64 mm
Power consumption	230V AC, 0,5 A 24V DC, 80 mA (normal without extra load)
Cabling	Mains supply PR (2 x 1 mm ²) Alarm unit: PR (2 x 1 mm) (0,75 mm ²) Zone circuits: PR (2 x 1 mm) (0,75 mm ²) Control circuits: PR (2 x mm) (0,75mm ²)
End load	Type BXY-40

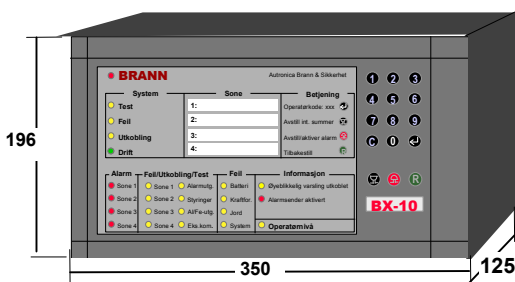
Approvals

BX-10 is approved according to EN-54, part 2 and 4, and LVD (IEC60950).

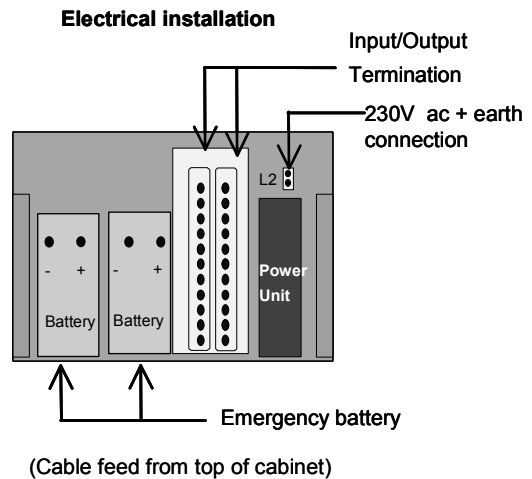
BX-10M (Maritime version) is approved according to:

- Det Norske Veritas (DNV)
- Lloyd's Register of shipping
- American Bureau of Shipping (ABS)

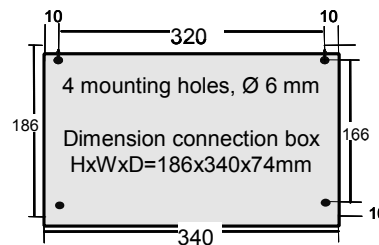
Dimensions / Overview



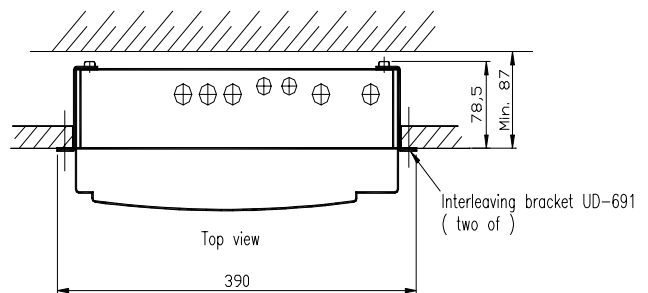
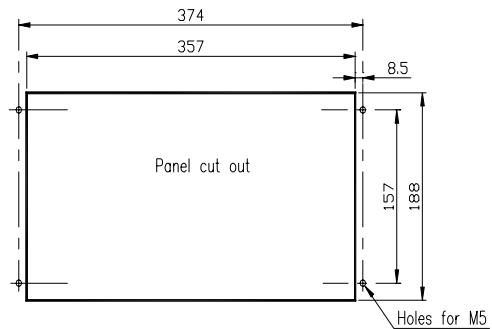
Installation / Wiring



Onwall installation



For flush panel mounting



По вопросам продаж и поддержки обращайтесь:

Архангельск (8182)63-90-72
Астана +7(7172)727-132
Белгород (4722)40-23-64
Брянск (4832)59-03-52
Владивосток (423)249-28-31
Волгоград (844)278-03-48
Вологда (8172)26-41-59
Воронеж (473)204-51-73
Екатеринбург (343)384-55-89
Иваново (4932)77-34-06
Ижевск (3412)26-03-58
Казань (843)206-01-48
Калининград (4012)72-03-81
Калуга (4842)92-23-67
Кемерово (3842)65-04-62
Киров (8332)68-02-04

Краснодар (861)203-40-90
Красноярск (391)204-63-61
Курск (4712)77-13-04
Липецк (4742)52-20-81
Магнитогорск (3519)55-03-13
Москва (495)268-04-70
Мурманск (8152)59-64-93
Набережные Челны (8552)20-53-41
Нижний Новгород (831)429-08-12
Новокузнецк (3843)20-46-81
Новосибирск (383)227-86-73
Орел (4862)44-53-42
Оренбург (3532)37-68-04
Пенза (8412)22-31-16
Пермь (342)205-81-47
Ростов-на-Дону (863)308-18-15

Рязань (4912)46-61-64
Самара (846)206-03-16
Санкт-Петербург (812)309-46-40
Саратов (845)249-38-78
Смоленск (4812)29-41-54
Сочи (862)225-72-31
Ставрополь (8652)20-65-13
Тверь (4822)63-31-35
Томск (3822)98-41-53
Тула (4872)74-02-29
Тюмень (3452)66-21-18
Ульяновск (8422)24-23-59
Уфа (347)229-48-12
Челябинск (351)202-03-61
Череповец (8202)49-02-64
Ярославль (4852)69-52-93

Единый адрес для всех регионов: acn@nt-rt.ru || www.autronica.nt-rt.ru