

# Панель управления

## VX-10M1

### Технические характеристики

Архангельск (8182)63-90-72  
Астана +7(7172)727-132  
Белгород (4722)40-23-64  
Брянск (4832)59-03-52  
Владивосток (423)249-28-31  
Волгоград (844)278-03-48  
Вологда (8172)26-41-59  
Воронеж (473)204-51-73  
Екатеринбург (343)384-55-89  
Иваново (4932)77-34-06  
Ижевск (3412)26-03-58  
Казань (843)206-01-48  
Калининград (4012)72-03-81  
Калуга (4842)92-23-67  
Кемерово (3842)65-04-62  
Киров (8332)68-02-04

Краснодар (861)203-40-90  
Красноярск (391)204-63-61  
Курск (4712)77-13-04  
Липецк (4742)52-20-81  
Магнитогорск (3519)55-03-13  
Москва (495)268-04-70  
Мурманск (8152)59-64-93  
Набережные Челны (8552)20-53-41  
Нижний Новгород (831)429-08-12  
Новокузнецк (3843)20-46-81  
Новосибирск (383)227-86-73  
Орел (4862)44-53-42  
Оренбург (3532)37-68-04  
Пенза (8412)22-31-16  
Пермь (342)205-81-47  
Ростов-на-Дону (863)308-18-15

Рязань (4912)46-61-64  
Самара (846)206-03-16  
Санкт-Петербург (812)309-46-40  
Саратов (845)249-38-78  
Смоленск (4812)29-41-54  
Сочи (862)225-72-31  
Ставрополь (8652)20-65-13  
Тверь (4822)63-31-35  
Томск (3822)98-41-53  
Тула (4872)74-02-29  
Тюмень (3452)66-21-18  
Ульяновск (8422)24-23-59  
Уфа (347)229-48-12  
Челябинск (351)202-03-61  
Череповец (8202)49-02-64  
Ярославль (4852)69-52-93



## Features

- Modern and user-friendly design.
- Simple installation.
- 4 conventional detection zones (loops), monitored for break/short circuit, each with a capacity for up to 32 detectors.
- Alarms/fault warnings notified with LEDs on the front panel and alarm/fault outputs.
- Easy-to-operate using the keypad.
- «Key-less» operation.
- Password-protected operator mode.
- Keypad with background light for operation in dark surroundings.
- Digital inputs for technical alarms.
- Inputs for remote disablement of detection zones.
- Remote reset of control panel
- Simple activation of 2 minutes delay of alarm outputs.

## Application

The BX-10M1 fire alarm control panel is a modern conventional unit designed for minor maritime installations.

Among applications, the BX-10M1 is especially suitable for fishing boats, yachts and smaller cargo ships.

The system covers 4 conventional detection zones. Up to 32 detectors/manual call-points can be connected to each zone.

The control unit provides an integrated temperature-compensated power supply and emergency batteries.

Manual call-points and automatic detectors can be connected to the same zone.

A disablement of a zone will not disable the manual call-points in the disabled zone.

Detection zones, alarm outputs and controls can be disabled from the front panel

BX-10M1 can work together with all types of Autronica standard conventional detectors.

The panel complies with SOLAS convention, and meet the maritime requirements in EN60945 and the EMC requirements for CE standards.



## Inputs/outputs

### Inputs:

- 4 zone circuits for detectors, single loop with end-load.
- 4 inputs for connection of zone disablement switches.
- Input for remote activation of sounders (evacuation).
- Input for remote control of day/night function (2 minutes delay of alarm outputs).
- Input for remote activation of alarm pattern with 7 short and 1 long pulse signal.
- Input for remote sounder silence.
- Input for remote system reset.
- 110VAC - 230V AC mains power connection.

### Outputs:

- 24V DC / 0,63A to external equipment.
- 12V DC / 0,4 A to external equipment.
- 12V and 24V power outputs with short interruption at reset..
- 2 alarm outputs for sounders (monitored for break/short circuit).
- Alarm output (BMA), monitored output and potential free relay output.
- Fault output (BMF), monitored output and potential free relay output.
- 24V DC / 0,2A output for fire doors.
- 4 control outputs for zones 1-4 (transistor outputs).
- Transistor output (AUX 1), activated when detection zone is disabled

**Technical specifications**

Dimensions	HxWxD = 350x350x130 mm
Weight exclusive battery	2,8 kg
Weight inclusive battery	5,1 kg
Material	Operating panel: Black, polycarbonate Connection box: Steel cabinet, black
Protection standard	IEC / IP 30
Power	110-230V AC +10% - -15% (50-60Hz), 0,5A
Detector loop	14V DC ± 0,5V
Back-up battery	2 x 12V / 3 - 3,3Ah L x W x H = 133,5 x 67 x 64 mm
Power consumption	110-220V AC, 0.5 A 27.3V DC, 1.5 A (max load) 27,3V,80mA (panel without extra load)
Cabling	Mains supply PR (2 x 1 mm <sup>2</sup> ) Alarm unit: PR (2 x 1 mm) (0,75 mm <sup>2</sup> ) Zone circuits:PR (2 x 1 mm) (0,75 mm <sup>2</sup> ) Control circuits:PR (2 x mm) (0,75mm <sup>2</sup> )
End load	Type BXY-40

**Approvals**

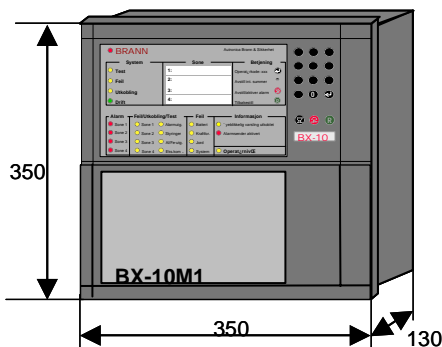
BX-10M1 is tested and approved according to:

- IACS: Unified requirements, E10
- CENELEC: EN60945
- IEC: IEC60533, Ed. 2, 1999-11

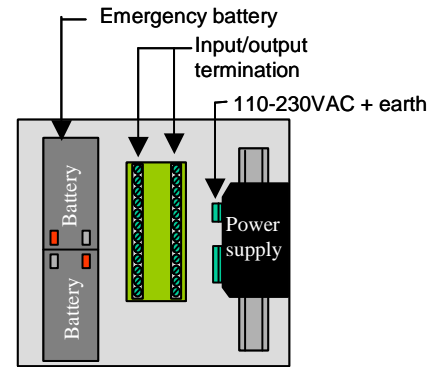
Approved according to Classification Societies:

- Germanischer Lloyd (GL)

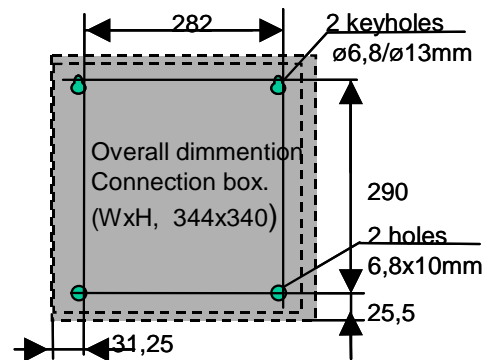
**Dimensions/Overview**



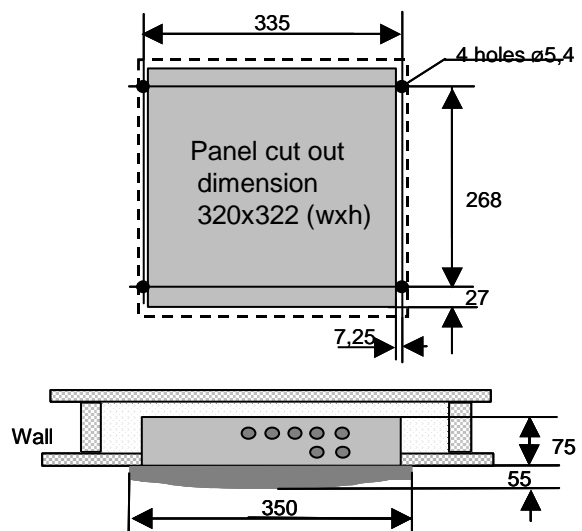
**Installation / Wiring**



**ON wall mounting**



**Flush mounted panel**



Note!  
To give access to top and bottom lock screws, there must be a free space of 50 mm above and below panel.

**Autronica Fire and Security AS**

Oil & Gas, Stavanger, Norway. Phone: + 47 51 84 09 00, fax: + 47 51 84 09 99.  
Autronica Industrial Ltd., Watford, United Kingdom. Phone: 1923 23 37 68, fax: 1923 22 55 77.

По вопросам продаж и поддержки обращайтесь:

Архангельск (8182)63-90-72  
Астана +7(7172)727-132  
Белгород (4722)40-23-64  
Брянск (4832)59-03-52  
Владивосток (423)249-28-31  
Волгоград (844)278-03-48  
Вологда (8172)26-41-59  
Воронеж (473)204-51-73  
Екатеринбург (343)384-55-89  
Иваново (4932)77-34-06  
Ижевск (3412)26-03-58  
Казань (843)206-01-48  
Калининград (4012)72-03-81  
Калуга (4842)92-23-67  
Кемерово (3842)65-04-62  
Киров (8332)68-02-04

Краснодар (861)203-40-90  
Красноярск (391)204-63-61  
Курск (4712)77-13-04  
Липецк (4742)52-20-81  
Магнитогорск (3519)55-03-13  
Москва (495)268-04-70  
Мурманск (8152)59-64-93  
Набережные Челны (8552)20-53-41  
Нижний Новгород (831)429-08-12  
Новокузнецк (3843)20-46-81  
Новосибирск (383)227-86-73  
Орел (4862)44-53-42  
Оренбург (3532)37-68-04  
Пенза (8412)22-31-16  
Пермь (342)205-81-47  
Ростов-на-Дону (863)308-18-15

Рязань (4912)46-61-64  
Самара (846)206-03-16  
Санкт-Петербург (812)309-46-40  
Саратов (845)249-38-78  
Смоленск (4812)29-41-54  
Сочи (862)225-72-31  
Ставрополь (8652)20-65-13  
Тверь (4822)63-31-35  
Томск (3822)98-41-53  
Тула (4872)74-02-29  
Тюмень (3452)66-21-18  
Ульяновск (8422)24-23-59  
Уфа (347)229-48-12  
Челябинск (351)202-03-61  
Череповец (8202)49-02-64  
Ярославль (4852)69-52-93

Единый адрес для всех регионов: [acn@nt-rt.ru](mailto:acn@nt-rt.ru) || [www.autronica.nt-rt.ru](http://www.autronica.nt-rt.ru)